

Screw joint between the worm wheel and quick coupler

RT 10

4700899

Pos.	Art. nr	Number	Name	Note	Tightening torque
1	1022649	12	Skruv	M12x90 MC6S 12.9	130Nm
2	1015304	12	Bricka	Nordlock 12	

RT 20

4401892

Pos.	Art. nr	Number	Name	Note	Tightening torque
1	1010677	14	Skruv	M12x110 MC6S 12.9	130Nm
2	1010651	16	Bricka	13x24x2 HB400	
3	1016187	2	Skruv	M12x60 MC6S 12.9	130Nm

RT 30

4501314

Pos.	Art. nr	Number	Name	Note	Tightening torque
1	1002120	18	Skruv	M12x130 MC6S 12.9	130Nm
2	1010651	20	Bricka	13x24x2 HB400	
3	1022649	2	Skruv	M12x90 MC6S 12.9	130Nm

RT 40B/R4

4202674

Pos.	Art. nr	Number	Name	Note	Tightening torque
1	1178540	18	Skruv	M16x140 MC6S	330Nm
2	1003136	20	Bricka	17x30x3 HB400	
3	1024348	2	Skruv	M16x110 MLC6S	200Nm

RT 60B/R6

4102965

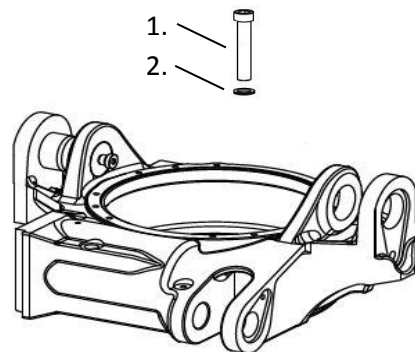
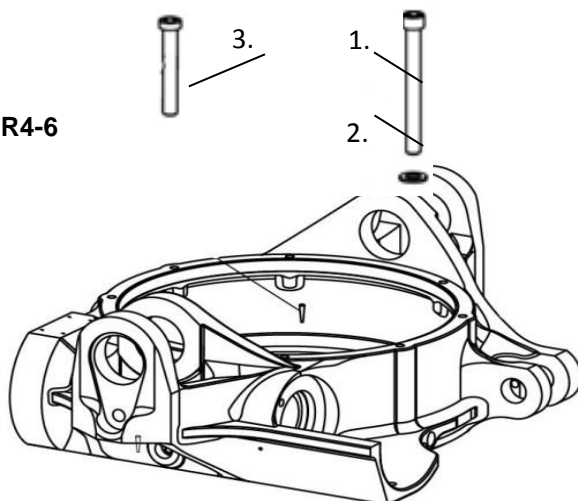
Pos.	Art. nr	Number	Name	Note	Tightening torque
1	1024371	22	Skruv	M16x160 MC6S 12.9	330Nm
2	1003136	24	Bricka	17x30x3 HB400	
3	1024348	2	Skruv	M16x110 MLC6S	200Nm

RT 80/R8

4301621

Pos.	Art. nr	Number	Name	Note	Tightening torque
1	1027184	28	Skruv	M16x180 MC6S 12.9	330Nm
2	1003136	30	Bricka	17x30x3 HB400	
3	1024348	2	Skruv	M16x110 MLC6S	200Nm

RT20-80, R4-6



RT10